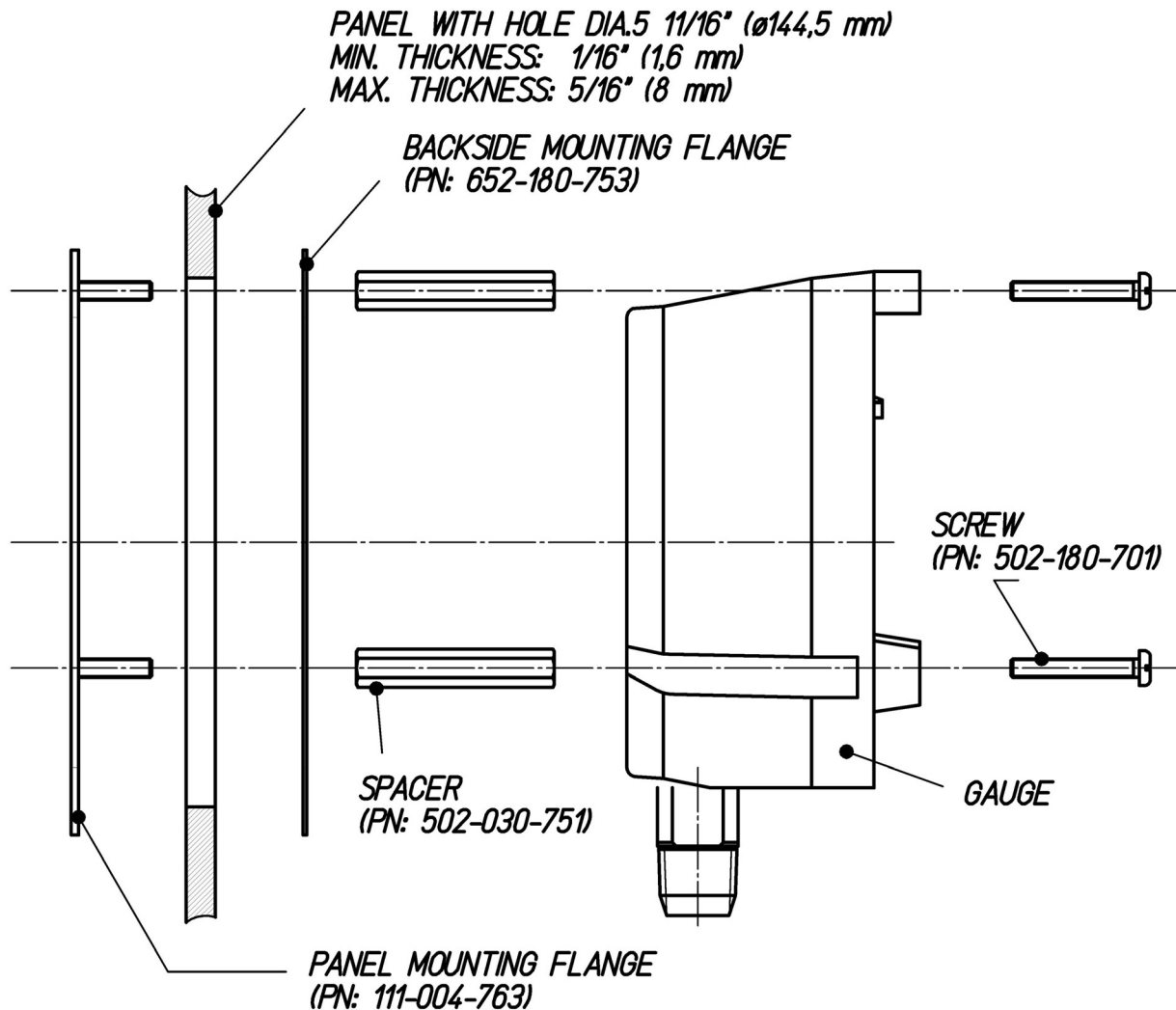


INSTRUCTIONS FOR PANEL MOUNTING OF RPG(G) 4 1/2" - PROCESS GAUGES

T01-000-001

18.11.2003 Win/Wo
Seite 1 von 1



INSTRUCTIONS FOR PANEL MOUNTING OF RPG 4 1/2" - PROCESS GAUGES

1. CUT THE HOLE INTO THE PANEL WITH DIA. 5 11/16" (144,5mm)
2. INSERT THE PANEL MOUNTING FLANGE INTO PANEL
3. PLACE BACKWARDS THE BACKSIDE MOUNTING FLANGE OVER THE 3 STUDS
4. THREAD SPACERS ONTO FLANGE STUDS AND TIGHTEN
5. ASSEMBLE CASE TO SPACERS
6. PUT SCREWS THROUGH THE GAUGE CASE HOLES AND THREAD INTO SPACERS
7. TIGHTEN SCREWS AND PLACE GAUGE IN THE PANEL TIL IT FEELS SECURE



Sales and Export South, West, North
ARMATURENBAU GmbH
Manometerstraße 5 • D-46487 Wesel - Ginderich
Tel.: +49 (0) 28 03 / 91 30-0 • Fax: +49 (0) 28 03 / 10 35
armaturenbau.com • mail@armaturenbau.com



Subsidiary Company, Sales and Export East
MANOTHERM Beierfeld GmbH
Am Gewerbepark 9 • D-08344 Grünhain-Beierfeld
Tel.: +49 (0) 37 74 / 58-0 • Fax: +49 (0) 37 74 / 58-545
manotherm.com • mail@manotherm.com

